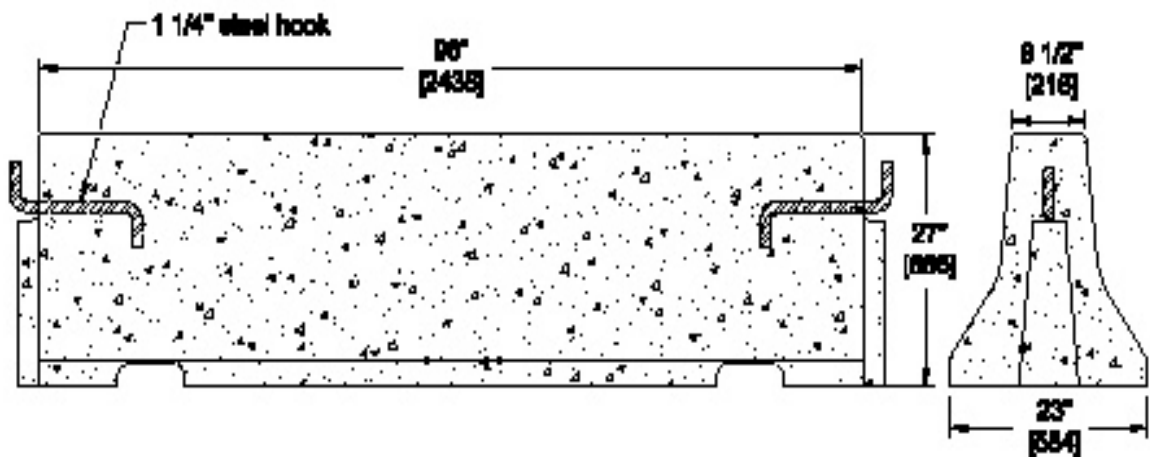


Installation Information

2 - 1 1/4" hooks

Weight: 2660 lbs / 1208 kg



Korpack Cement Products Co Ltd. Since 1947	154 Wellington Ave. Trail, BC V1R 2K2 (250) 368-8266	690 No Post Guardrail Male c/ Weeps	Part Number
			NP-Type K-Std-M-50