



Korpack Cement Products Co. Ltd  
 154 Wellington Avenue  
 Trail, B.C. V1R 2K2

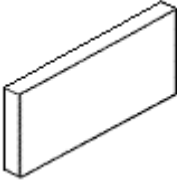
Phone: 250-368-8266  
 Fax: 250-368-9124  
 email: info@korpack.ca

**LOCAL CALLS**  
**TOLL FREE CALLS**

**1 - 250 - 368 - 8266**  
**1 - 877 - 568 - 8266**

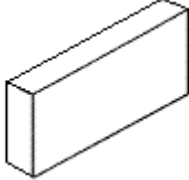
**SMOOTH                      SLABS                      10 CM / 4 INCH                      15 CM / 6 INCH**

**SLAB** 2 INCH



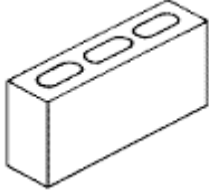
**METRIC** N/A  
 Dimensions N/A  
**IMPERIAL** 2x8x16 Slab  
 Dimensions 1-5/8" x 7-5/8" x 15-5/8"

**SLAB** 3 INCH




**METRIC** N/A  
 Dimensions N/A  
**IMPERIAL** 3x8x16 Slab  
 Dimensions 2-5/8" x 7-5/8" x 15-5/8"

**STANDARD** 10 CM  
4 INCH



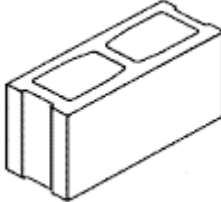
**METRIC** 10 cm Standard  
 Sizing 90mm x 190mm x 390mm  
**IMPERIAL** 4x8x16 Standard  
 Sizing 3-5/8" x 7-5/8" x 15-5/8"

**HALF** 10 CM  
4 INCH



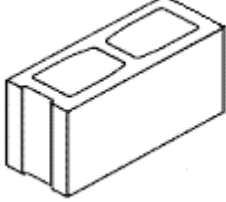
**METRIC** 10 cm Standard  
 Dimensions 90mm x 190mm x 190mm  
**IMPERIAL** 4x8x8 Half  
 Dimensions 3-5/8" x 7-5/8" x 7-5/8"

**STANDARD** 15 CM  
6 INCH



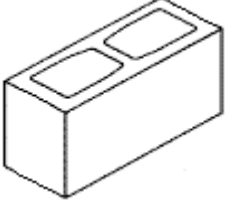
**METRIC** 15 cm Standard  
 Dimensions 290mm x 190mm x 390mm  
**IMPERIAL** 6x8x16 Standard  
 Dimensions 5-5/8" x 7-5/8" x 15-5/8"

**SINGLE END** 15 CM  
6 INCH



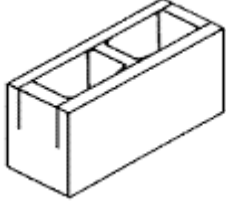
**METRIC** 15 cm Standard  
 Dimensions 290mm x 190mm x 390mm  
**IMPERIAL** 6x8x16 Standard  
 Dimensions 5-5/8" x 7-5/8" x 15-5/8"

**DOUBLE END** 15 CM  
6 INCH



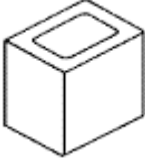
**METRIC** 15 cm Standard  
 Dimensions 290mm x 190mm x 390mm  
**IMPERIAL** 6x8x16 Standard  
 Dimensions 5-5/8" x 7-5/8" x 15-5/8"

**K.O. BOND BEAM** 15 CM  
6 INCH



**METRIC** 15 cm Standard  
 Dimensions 290mm x 190mm x 390mm  
**IMPERIAL** 6x8x16 Standard  
 Dimensions 5-5/8" x 7-5/8" x 15-5/8"

**HALF** 15 CM  
6 INCH



**METRIC** 15 cm Standard  
 Dimensions 290mm x 190mm x 390mm  
**IMPERIAL** 6x8x16 Standard  
 Dimensions 5-5/8" x 7-5/8" x 15-5/8"